

MEASUREMENT GUIDE

Date: _____

Company Name: _____ Phone: _____

Contact Name: _____ Fax: _____

P.O.# _____ Quantity: _____ Shower Head

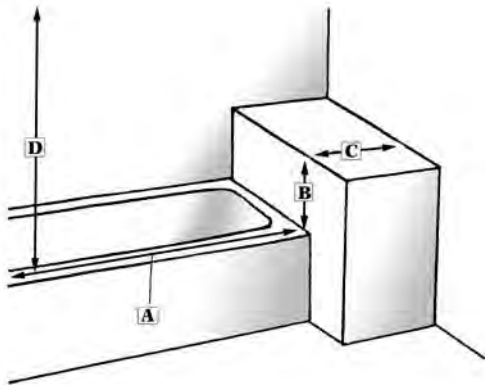
Metal Color: _____ Glass Color: _____

Extras: _____

Sliding Tub Enclosure with Inline Buttress Panel

(Circle the title corresponding to the unit you are measuring.)

UNIT LEFT



Signature

A

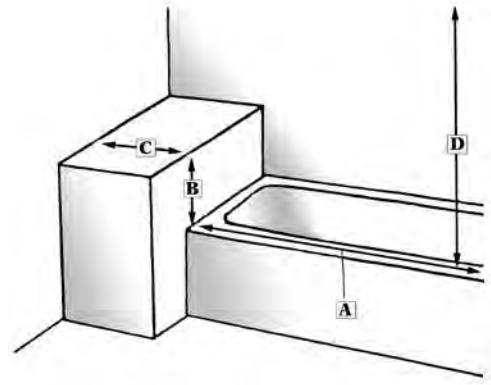
B

C

D

D

UNIT RIGHT



(If you need assistance measuring, see our buttress measuring guide.)

PHONE
1-800-842-3205

GLAS*Source*

FAX
1-616-842-2157

Email: orders@glassource.net