

MEASUREMENT GUIDE

Date: \_\_\_\_\_

Company Name: \_\_\_\_\_ Phone: \_\_\_\_\_

Contact Name: \_\_\_\_\_ Fax: \_\_\_\_\_

P.O.# \_\_\_\_\_ Quantity: \_\_\_\_\_ Shower Head

Metal Color: \_\_\_\_\_ Glass Color: \_\_\_\_\_

Hinge

Door with Inline Panel

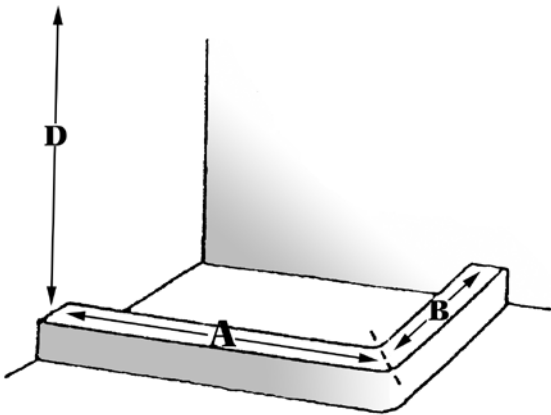
Return Panel

Extras: \_\_\_\_\_

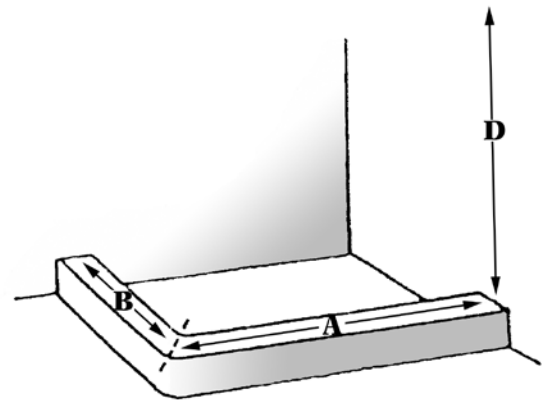
**Pivot Stall with 90° Return Panel**

(Circle the title corresponding to the unit you are measuring.)

**UNIT LEFT**



**UNIT RIGHT**



**EHD90PK**

**A**

**B**

**D**

**D**

**(Door or door with panel will be on side opposite of return panel.)**

PHONE  
1-800-842-3205

**GLASS***Source*

FAX  
1-616-842-2157

Email: [orders@glasssource.net](mailto:orders@glasssource.net)