

## EXTRUSION DRAWINGS

### TABLE OF CONTENTS:

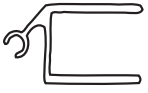


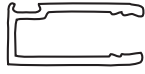
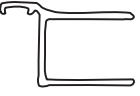
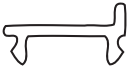
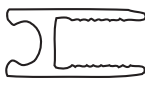
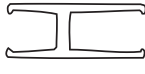

*Euro Highlight Hinge Extrusion Chart..... Page 2.*



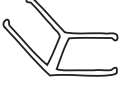

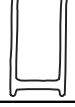
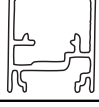
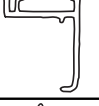

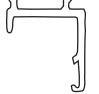
*Euro Highlight By-Pass & Performer By-Pass Extrusion Chart..... Page 3.*


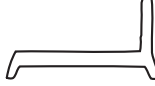
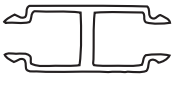


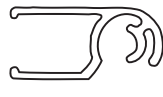

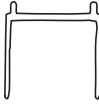

*Signature By-Pass Extrusion Chart..... Page 4.*

## Euro Highlight Hinge

### Extrusion Chart

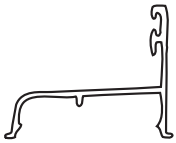
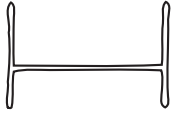


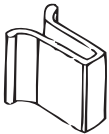
Profile	Part No. Description
	SEJ 101 Hinge Jamb
	SEJ 102 Hinge Stile Framed Door
	SEJ 103 Rail
	SEJ 104 Strike Stile
	SEJ 105 Strike Jamb
	SEJ 108 Header/Threshold Insert
	SEJ 109 Hinge Stile Frameless Door
	SEJ 110 H Post
	SEJ 111 Snap Post

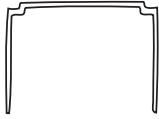

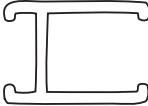
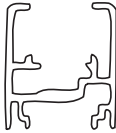
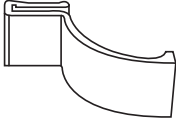
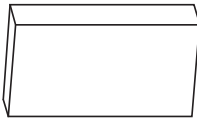
Profile	Part No. Description
	SEJ 112 90° Buttress Post
	SEJ 113 Wall Jamb
	SEJ 114 135° Post
	SEJ 115 90° Post
	SEJ 116 Buttress Threshold
	SEJ 119 Threshold
	SEJ 120 Two-Piece Header Base
	SEJ 121 Two-Piece Header Fascia
	SEJ 122 Steam Insert

Profile	Part No. Description
	SEJ 123 135° Buttress Post
	SEJ 124 Threshold Stand-Alone Door
	SEJ 125 Double Snap Post
	SEJ 126 Wall Adjust
	SEJ 127 Buttress Cap
	SEJ 128 Adjustable Post
	SEJ 129 Adjustable Receiver
	SEJ 140 Threshold Filler
	SEJ 319 Header

# Euro Highlight By-Pass & Performer By-Pass

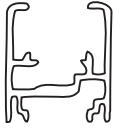
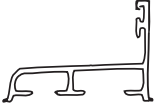


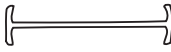

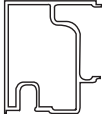

## Extrusion Chart

Profile	Part No. Description
	SEJ 31 Sill Track
	SEJ 34 Wall Jamb
	SEJ 35 Header
	SEJ 37 Panel Jamb
	11-8200 Finger Pull

Profile	Part No. Description
	SEJ 87 Filler Jamb
	SEJ 111 Snap Post
	SEJ 113 Wall Jamb
	SEJ 119 Panel Threshold
	11-3600 T Bar End
	SEJ 98 T Bar

## Signature By-Pass

### Extrusion Chart

Profile	Part No. Description
	SEJ 119 Panel Threshold
	SEJ 131 Sill Track
	SEJ 134 Wall Jamb
	SEJ 135 Header
	SEJ 136 Jamb Connector
	SEJ 137 Snap Receiver
	SEJ 138 90° Post
	SEJ 139 135° Post