




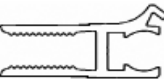



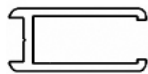
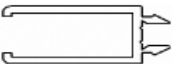
EXTRUSION DRAWINGS

TABLE OF CONTENTS

Section 1	<i>Door and Pivot Extrusions</i>	Page 1
Section 2	<i>TE/SE Extrusions</i>	Page 3
Section 3	<i>Stall Shower Extrusions</i>	Page 4
Section 4	<i>Vinyl Parts List</i>	Page 5
Section 5	<i>Door Hardware</i>	Page 7
Section 6	<i>TE/SE Hardware</i>	Page 8
Section 7	<i>3/8" Hardware</i>	Page 10
Section 8	<i>Stall Shower Hardware</i>	Page 10
Section 9	<i>Screw Page</i>	Page 11

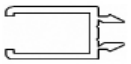
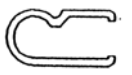

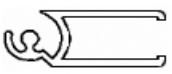
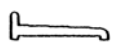
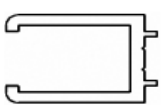
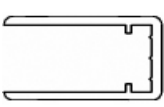
Net Pricing

Section 1 Door and Pivot Extrusions

Extrusion Drawing	Part # Description	Length Available	Silver	Gold	Colors
	D-1502 Bottom rail for D1 & D3	30 3/8" 144"	\$ 6.79 \$ 28.09	\$ 6.96 \$ 29.35	\$ 12.18 \$ 48.70
	D-1503 Hinge rail for D1 & D3	65 3/4" 71 3/4" 144"	\$ 14.18 \$ 15.36 \$ 29.78	\$ 14.98 \$ 16.71 \$ 31.87	\$ 21.70 \$ 25.80 \$ 48.16
	D-1504 Latch jamb for D1 & D3	66 5/8" 72 5/8" 144"	\$ 10.85 \$ 12.14 \$ 21.81	\$ 11.83 \$ 13.22 \$ 23.90	\$ 17.14 \$ 20.47 \$ 38.73
	D-1505 Hinge jamb for D1 & D3	66 5/8" 72 5/8" 144"	\$ 11.35 \$ 12.87 \$ 21.38	\$ 12.30 \$ 13.94 \$ 23.47	\$ 17.81 \$ 19.36 \$ 36.53
	D-1508 Drip trough for D1 & D3	36" 144"	\$ 3.54 \$ 13.01	\$ 3.82 \$ 14.26	\$ 6.91 \$ 23.24
	D-1006 Wall Channel	67 3/4" 73 3/4" 144"	\$ 8.86 \$ 9.91 \$ 17.19	\$ 9.45 \$ 10.54 \$ 18.46	\$ 13.67 \$ 15.77 \$ 29.35
	D-1007 Channel Extension	67 3/4" 73 3/4" 144"	\$ 10.42 \$ 11.48 \$ 20.55	\$ 10.80 \$ 12.39 \$ 22.23	\$ 17.45 \$ 18.55 \$ 34.88

SLCC="Stock Length Cut Charge" Use one size larger, 2 cuts and take the drop -\$5 Net Each
Note: Max Length for ORB, Biscuit, Almond, and Black is 98"




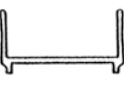

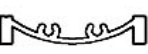
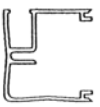

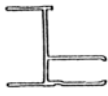


Net Pricing

	ZD-2007 Short Channel Extension	144"	\$ 20.55	\$ 22.23	N/A
	D-1015 "Old" Adjustable Post	144"	\$ 16.37	\$ 18.03	\$ 28.92
	D-1016 Adjustable Post - Female	144"	\$ 16.37	\$ 18.03	\$ 28.92
	D-1017 Adjustable Post - Male	144"	\$ 16.37	\$ 18.03	\$ 28.92
	D-1026 Dam Strip	36" 108"	\$ 4.38 \$ 12.90	\$ 4.61 \$ 13.83	\$ 6.68 \$ 20.04
	D-1028 3/4" Wall Channel	144"	\$ 16.78	\$ 18.03	\$ 26.18
	D-1005 Vertical Rail for Pivoting Transom	66 5/8" 144"	\$ 9.45 \$ 18.03	\$ 10.22 \$ 19.72	\$ 31.55 \$ 31.55

SLCC="Stock Length Cut Charge" Use one size larger, 2 cuts and take the drop -\$5 Net Each
Note: Max Length for ORB, Biscuit, Almond, and Black is 98"

Net Pricing


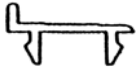


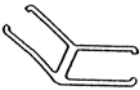
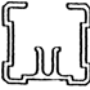



Section 2 TE/SE Extrusions

Extrusion Drawing	Part # Description	Length Available	Silver	Gold	Colors
	TE-1201 Header	48"	\$ 18.89	\$ 21.25	\$ 32.47
		60"	\$ 23.51	\$ 26.46	\$ 49.81
		144"	\$ 55.35	\$ 62.47	\$ 97.41
	TE-5201 Euro Highlight / Performer Header	48"	\$ 21.20	\$ 22.85	\$ 38.14
		60"	\$ 28.52	\$ 32.33	\$ 47.85
		144"	\$ 67.42	\$ 76.74	\$ 111.12
	TE-1601 Prestige Header	48"	\$ 37.32	\$ 41.36	\$ 59.99
		60"	\$ 46.54	\$ 51.28	\$ 74.40
		144"	\$ 110.68	\$ 122.86	\$ 179.32
	TE-1203 Jamb	56 1/4"	\$ 9.46	\$ 10.26	\$ 18.06
		69 1/4"	\$ 11.45	\$ 12.46	\$ 18.06
		144"	\$ 22.23	\$ 24.32	\$ 37.09
	TE-1205 Highlight Towel Bar	29 3/4"	\$ 4.02	\$ 4.33	\$ 6.26
		122"	\$ 14.74	\$ 16.03	\$ 25.01
	TE-3205 Euro Highlight Towel Bar	29 5/8"	\$ 5.89	\$ 6.28	\$ 9.66
		122"	\$ 23.47	\$ 25.17	\$ 38.60
	TE-1214 90° Slider Post	144"	\$ 40.25	\$ 41.51	\$ 69.19
	TE-1215 135° Slider Post	144"	\$ 41.51	\$ 43.20	N/A
	TE-1218 180° Slider Post	144"	\$ 36.06	\$ 37.74	\$ 59.22
	TE-1225 Jamb and Guide Filler	56 1/4"	\$ 14.52	\$ 14.94	\$ 21.19
		69 1/4"	\$ 14.52	\$ 14.94	\$ 21.19
		144"	\$ 26.83	\$ 27.68	\$ 40.18
	TE-1522 1400 or 1500 Sill 1600/1700 "Slider Sill"	48"	\$ 9.57	\$ 9.88	\$ 13.40
		60"	\$ 11.96	\$ 12.66	\$ 18.39
		144"	\$ 27.68	\$ 29.35	\$ 43.16

SLCC="Stock Length Cut Charge" Use one size larger, 2 cuts and take the drop -\$5 Net Each
 Note: Max Length for ORB, Biscuit, Almond, and Black is 98"

Net Pricing



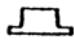


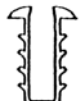
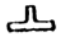


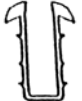
Section 3 Stall Shower Extrusions

Extrusion Drawing	Part # Description	Length Available	Silver	Gold	Colors
	SS-1101	144"	\$ 30.18	\$ 32.30	\$ 52.59
	Highlight	60"	\$ 13.00	\$ 13.87	\$ 26.29
	Header & Curb	48"	\$ 10.49	\$ 11.19	\$ 17.52
	SS-1102	36"	\$ 2.82	\$ 2.94	\$ 4.42
	Header & Curb Filler	122"	\$ 7.98	\$ 8.81	\$ 13.28
	SS-1103	67 3/4"	\$ 14.82	\$ 16.02	\$ 23.20
	180° Post	144"	\$ 30.61	\$ 33.13	\$ 52.02
	SS-1104	67 3/4"	\$ 16.21	\$ 16.81	\$ 24.37
	90° Post	144"	\$ 33.54	\$ 34.80	\$ 57.02
	SS-1105	67 3/4"	\$ 14.03	\$ 15.61	\$ 26.57
	135° Post	144"	\$ 28.51	\$ 32.30	\$ 50.93
	SS-1108	96"	\$ 34.39	\$ 34.80	N/A
	Vertical Square Post	144"	\$ 34.39	\$ 24.80	N/A
	SS-1110	72"	\$ 15.15	\$ 16.19	\$ 23.74
	Stationary Panel Frame Base	144"	\$ 28.09	\$ 30.18	\$ 45.29
	SS-1112	72"	\$ 8.66	\$ 9.06	\$ 13.05
	Stationary Panel Frame Insert	144"	\$ 15.10	\$ 15.93	\$ 23.89
	PS 1701	144"	\$ 41.18	\$ 43.30	\$ 63.59
	Prestige Header and Curb	60"	\$ 20.59	\$ 21.65	\$ 31.80
		48"	\$ 13.73	\$ 14.43	\$ 21.20

SLCC="Stock Length Cut Charge" Use one size larger, 2 cuts and take the drop -\$5 Net Each
 Note: Max Length for ORB, Biscuit, Almond, and Black is 98"



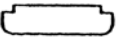



Net Pricing

Section 4 Vinyl Parts List

Extrusion Drawing	Part # Description	Length Available	Grey	Brown	Colors
	V-502 3/16" Glass Bottom Rail Vinyl D1, All Rails D3	Sold per Foot	\$ 0.14	\$ 0.14	N/A
	V-520 Latch Jamb Seal & Hinge Rail Seal	Sold per Foot	\$ 0.12	\$ 0.12	N/A
	V-521 Latch Jamb Magnetic Seal Frame Door	Sold per Foot	N/A	N/A	\$ 0.46 Black Only
	V-522 Hinge Jamb Sleeve	72" 96" Each	N/A N/A	N/A N/A	\$ 2.62 \$ 3.85 Clear Only
	V-524 Splash Vinyl 3' Piece	Sold Each	\$ 2.97	\$ 2.97	N/A
	V-525 3/16" Glass D1 Hinge Rail Deep & Handle Vinyl	Sold per Foot	\$ 0.18	\$ 0.18	N/A
	V-528 Framed Slider Guide Seal For 1500 Unit	Sold per Foot	\$ 0.96	\$ 0.96	N/A
	V-529 1500 Framed Center Guide	Each	\$ 1.14	\$ 1.14	N/A
	V-530 14/16/1700 Center Guide (1 per Unit)	Each	\$ 1.14	\$ 1.14	N/A
	V-540-A 1/4" Glass D1 Hinge Rail Vinyl	Sold per Foot	\$ 0.23	\$ 0.23	N/A

SLCC="Stock Length Cut Charge" Use one size larger, 2 cuts and take the drop -\$5 Net Each
Note: Max Length for ORB, Biscuit, Almond, and Black is 98"


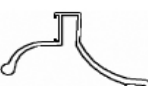




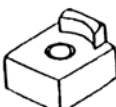



Net Pricing

	V-542-A 1/4" Glass D1 Bottom Rail Vinyl All D3 Rails	Sold per Foot	\$ 0.17	\$ 0.17	N/A
	V-902 Panel Glass Support Block	Each	N/A	N/A	\$ 0.17 Black Only
	V-905 3/8" Drip Trough Plug	Each	N/A	N/A	\$ 0.13 Black Only
	V-906 Header & Curb Seal for Stationary Panels	Sold per Foot	\$ 0.17	\$ 0.17	N/A
	V-909 Vertical Seal for Stationary Panels	Sold per Foot	\$ 0.13	\$ 0.13	N/A
	V-918 1400 & 1600 Slider Guide Seal	Sold per Foot	\$ 0.17	\$ 0.17	\$ 0.14 Black Only

SLCC="Stock Length Cut Charge" Use one size larger, 2 cuts and take the drop -\$5 Net Each
Note: Max Length for ORB, Biscuit, Almond, and Black is 98"

Net Pricing










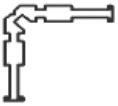

Section 5 Door Hardware

Extrusion Drawing	Part # Description	Quantity	Silver	Gold	Colors
	MAG-4011 Magnetic Door Pull	Each	\$ 2.66	\$ 3.51	\$ 5.81
	D-1034 Magnetic Door Towel Bar Latch Bracket	Each	\$ 4.36	\$ 5.13	\$ 6.88
	D-1036 Door Hinge Side Towel Bar Bracket	Each	\$ 4.13	\$ 4.88	\$ 6.71
	MAG-4012 Magnetic Prestige Door Clip	Each	\$ 6.90	\$ 7.62	\$ 8.95
	V-930 Box Catch	Each	\$ 2.04 (GREY)	\$ 2.04 (BROWN)	N/A
	D-1009 Hinge Clip (2 per Unit)	Each	\$ 0.65	N/A	N/A
	D-1013 Hinge Bushing (2 per Unit)	Each	\$ 0.74	\$ 0.79	N/A
	V-531-A Hinge Pin (2 per Unit)	Each	\$ 0.24 (GREY)	\$ 0.24 (BROWN)	N/A
	D-315093 Door Pull - Framed D3 "obsolete" (2 per Unit)	Each	\$ 2.66	\$ 3.51	\$ 5.81
	V-534 Rail End Cap	Each	\$ 0.22 (GREY)	\$ 0.22 (BROWN)	N/A

SLCC="Stock Length Cut Charge" Use one size larger, 2 cuts and take the drop -\$5 Net Each
Note: Max Length for ORB, Biscuit, Almond, and Black is 98"

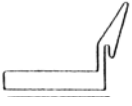


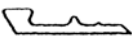




Net Pricing

Section 6 TE/SE Hardware

Extrusion Drawing	Part # Description	Quantity	Silver	Gold	Colors
	TE-1206-P Highlight Bar Bracket with Pull - 3"	Each	\$ 3.29	\$ 4.36	\$ 7.18
	TE-1206-P-1.5 Euro Highlight Bar Bracket with Pull - 1.5"	Each	\$ 3.29	\$ 4.36	\$ 7.18
	TE-1206 Highlight T-Bar Bracket - 3"	Each	\$ 3.15	\$ 3.99	\$ 6.71
	TE-1206-1.5 Euro Highlight T-Bar Bracket - 1.5"	Each	\$ 3.15	\$ 3.99	\$ 6.71
	TE-1207 Highlight Pull - 3"	Each	\$ 2.90	\$ 3.63	\$ 5.75
	TE-1207-1.5 Euro Highlight Pull - 1.5"	Each	\$ 2.90	\$ 3.63	\$ 5.75
	TE-12081 "Single" Roller Bracket Set (4 per Unit)	Set	\$ 9.82	\$ 10.19	\$ 13.09
	TE-12081-EA Single Roller Bracket (1 per Unit)	Each	\$ 2.46	\$ 2.55	\$ 3.28
	BG-135 TE-4 Header Clip	Each	\$ 1.22	N/A	N/A
	BG-90 TE/SE-3 Header Clip	Each	\$ 0.23	N/A	N/A
	V-924 TE/SE Middle Bumper (2 per Unit)	Each	\$ 0.77 (GREY)	\$ 0.77 (BROWN)	N/A

SLCC="Stock Length Cut Charge" Use one size larger, 2 cuts and take the drop -\$5 Net Each
Note: Max Length for ORB, Biscuit, Almond, and Black is 98"



Net Pricing

	V-926 TE/SE Bottom Bumper (1 per Unit)	Each	\$ 0.61 (GREY)	\$ 0.61 (BROWN)	N/A
	TE-1208D Double Roller Bracket TE-1600 (4 per Unit)	Set	\$ 17.45	\$ 18.17	\$ 22.77
	TE-1208D-EA Double Roller Bracket TE-1600 (1 per Unit)	Each	\$ 4.37	\$ 4.54	\$ 5.70
Image not available	KDHP-14 Highlight Handle Pack - 1400	Kit	\$ 9.08	\$ 11.98	\$ 19.16
Image not available	KDHPEH Euro Highlight Handle Pack - 1400	Kit	\$ 9.08	\$ 11.98	\$ 19.16
Image not available	KDHP-16/17 EuroTE 250 handle pack 1600-1700	Kit	\$ 4.72	\$ 5.08	\$ 8.15
	D-1510 3" Framed Slider Pull TE1500 "obsolete"	Each	\$ 2.32	\$ 4.36	N/A
	D-1512 3" Framed T-Bar Bracket TE1500 "obsolete"	Each	\$ 2.18	\$ 3.99	N/A
	BG-15-ASM 1/2" Framed Roller Bracket TE1500 "obsolete"	Each	\$ 4.40	N/A	N/A
	TE-1501 Top and bottom rail on TE/SE 1500 "Old" Top rail for D3	144"	\$ 28.05	\$ 28.05	\$ 41.44
	TE-1507 Vertical Rail for TE/SE 1500	144"	\$ 24.13	\$ 25.96	\$ 37.95

SLCC="Stock Length Cut Charge" Use one size larger, 2 cuts and take the drop -\$5 Net Each
Note: Max Length for ORB, Biscuit, Almond, and Black is 98"

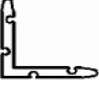
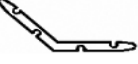


Net Pricing

Section 7 **3/8" Hardware**

Extrusion Drawing	Part # Description	Quantity	Silver	Gold	Colors
	BG-1638 3/8" Roller Bracket	Per Set	Call	Call	Call
	V-529 3/8" Center Guide	Each	\$ 1.14 (GREY)	\$ 1.14 (BROWN)	N/A

Net Pricing









Section 8 **Stall Shower Hardware**

Extrusion Drawing	Part # Description	Quantity	Silver	Gold	Colors
	C-90 Stall H & C 90° Clip	Each	\$ 0.36	N/A	N/A
	C-135 Stall H & C 135° Clip	Each	\$ 0.28	N/A	N/A
	C-180 Post to Curb Key	Each	\$ 0.29	N/A	N/A
	SS-1108-C Square Post Clip	Each	\$ 0.55	N/A	N/A

SLCC="Stock Length Cut Charge" Use one size larger, 2 cuts and take the drop -\$5 Net Each
Note: Max Length for ORB, Biscuit, Almond, and Black is 98"

Net Pricing

Section 9 Screw Diagram

Extrusion Drawing	Part # Description	Quantity	Silver	Gold	Colors
	ZS632-X114 D1 & D3 R & L's For Securing Drip Through	Each	\$ 0.05	\$ 0.06	\$ 0.07
	ZS6-X38 for Towel Bars and Securing Header and W/C, Post, Hinge, & Latch Jamb	Each	\$ 0.05	\$ 0.07	\$ 0.08
	ZS632-X12 V-924 Bumper Screw	Each	\$ 0.06	N/A	N/A
	ZS8-X12 #8 X 1/2" Screw	Each	\$ 0.08	N/A	N/A
	ZS8-X114 To Secure TE-1203 To TE-1214 Post and Wall Channel and Jambs	Each	\$ 0.07	\$ 0.08	\$ 0.09
	ZS8-X112 for Installing Wall Channel & Jambs	Each	\$ 0.07	N/A	N/A
	ZS8-X2 For Installing S.D.E. Kits	Each	\$ 0.08	N/A	N/A
	V-935 Screw Anchor 3/16"	Each	\$ 0.17	N/A	N/A

SLCC="Stock Length Cut Charge" Use one size larger, 2 cuts and take the drop -\$5 Net Each
Note: Max Length for ORB, Biscuit, Almond, and Black is 98"